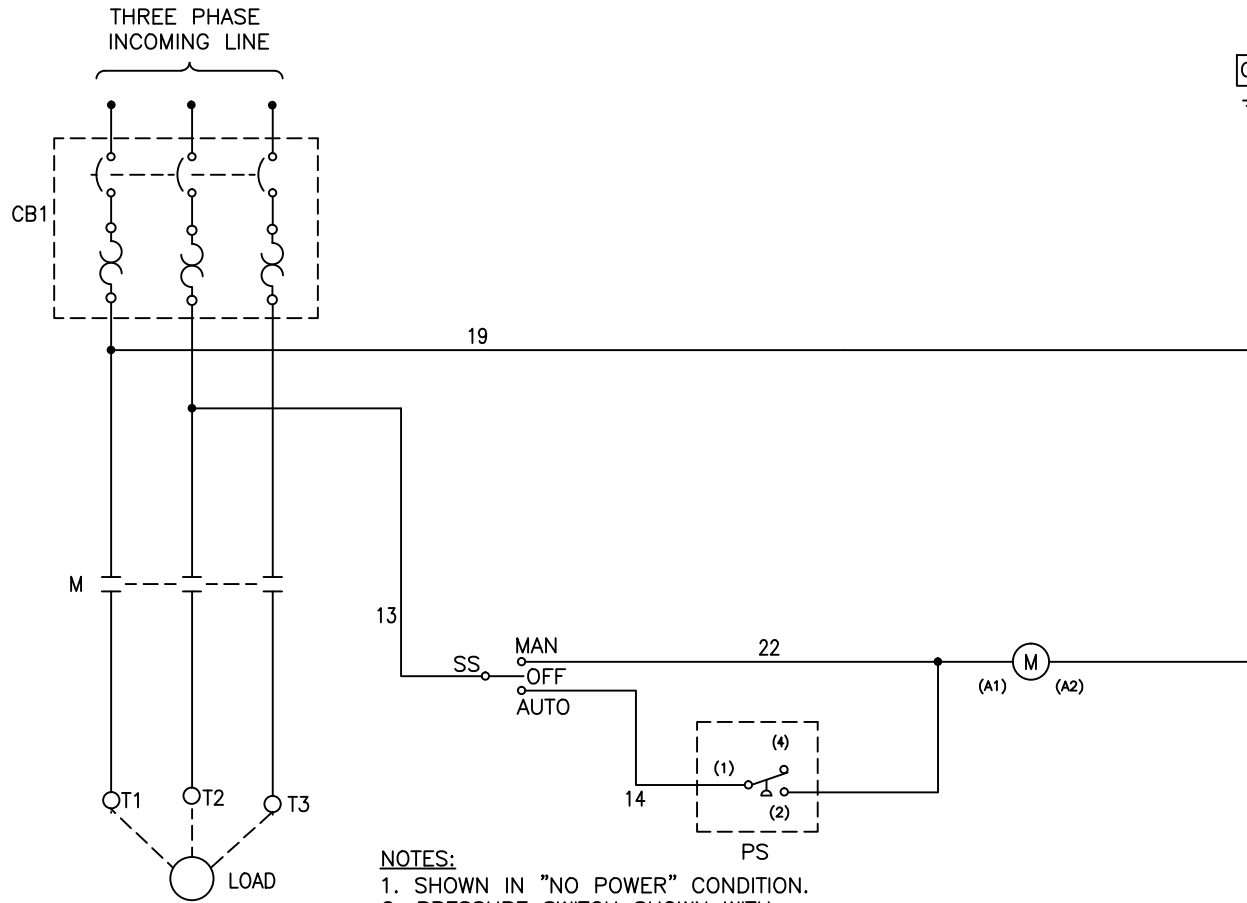


B-60CS002


GD GROUND LUG



**NOTES:**

1. SHOWN IN "NO POWER" CONDITION.
2. PRESSURE SWITCH SHOWN WITH "NORMAL PRESSURE APPLIED".
3. WIRING DIGRAM: 60CW002

CB1	MCCB
M	STARTER
PS	PRESSURE SWITCH
SS	SELECTOR SWITCH, 3 POSITION
SYMBOL	DESCRIPTION

E				M/L NO.	LX-600 SCHEMATIC DIAGRAM			
D				MOTION:	PRESSURE MAKE UP (JOCKEY) W/O TRANSFORMER			
C				REF.	FIRE PUMP CONTROLLER			
B				CADD NO. 60CS001	DATE 4-30-10	DR. MG	CK.	APPR.
A								
Rev.	DATE	BY	DESCRIPTION	 <b>Hubbell Industrial Controls, Inc.</b> 4301 Cheyenne Drive, Archdale, N.C. 27263		DRG. NO. OF	<b>B-60CS002</b>	